

ASTON[®]

YOUR COMPLETE GO-TO MACHINE

ATC-1500 **Smart Solution**
TIRE EQUIPMENT SPECIALIST



Aston Technologies, Inc.
www.astontechusa.com

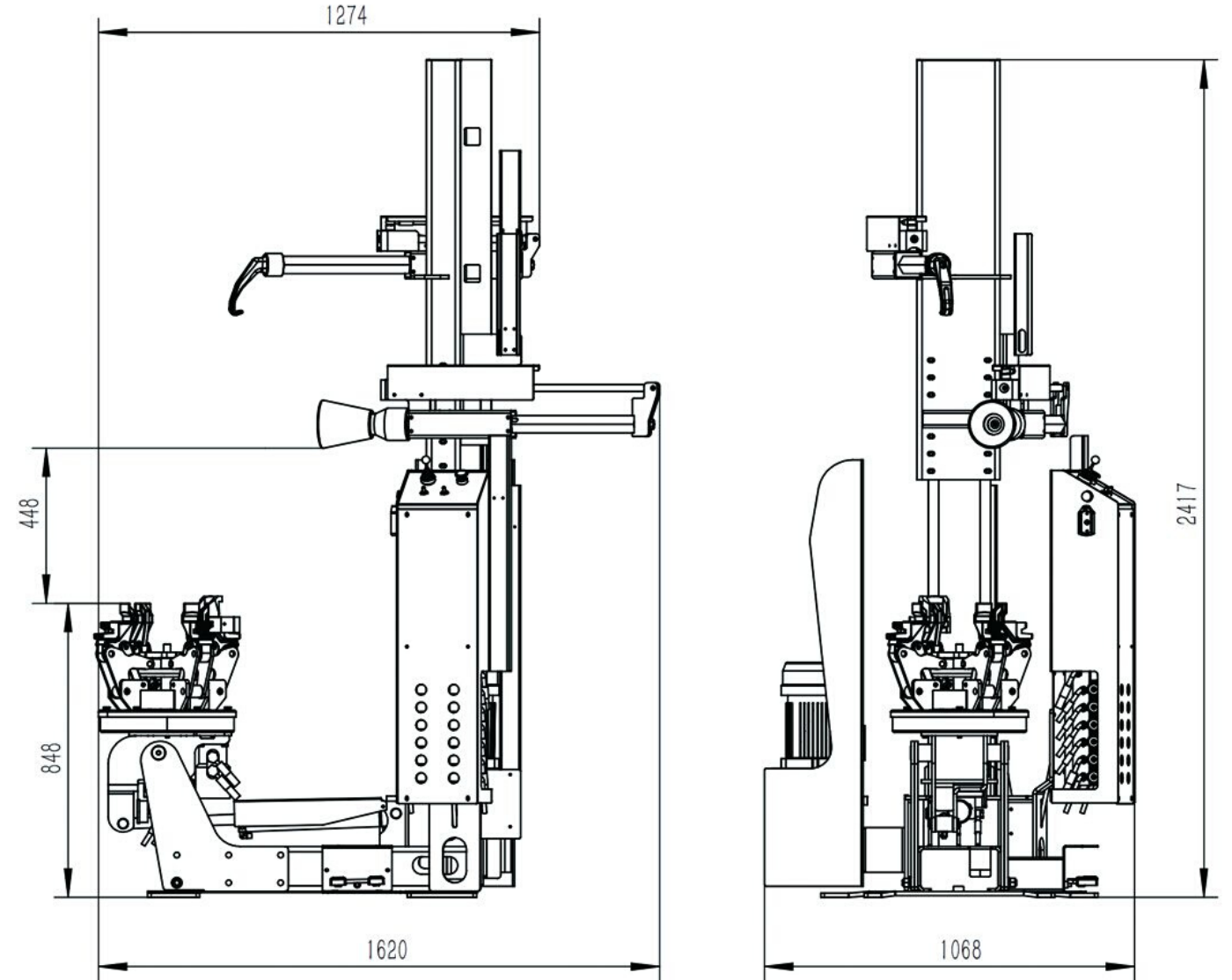
ATC-1500 FEATURES

ATC-1500 is a high powered automatic vertical truck tire changer, suitable for many types of vehicles. The Dismount/Mount head can work both ways, this innovative design brings a new concept for truck tire changers.

ASTON®

ATC-1500 SPECIFICATIONS

Rim clamp from outside	14"-26"
Max.Wheel diameter	1600mm
Max.Wheel width	780mm
Working pressure	≤130(bar)
Working Voltage	220V60hz1ph
Hydraulic motor	4.0hp
Max.Flow Of Oil For Hydraulic Motor	315
Net Weight	1240lbs./(563kg)
Gross Weight	1388lbs./(630kg)
	1300×1100×1830mm
Loading Quantity	40"HCTNR 18pcs



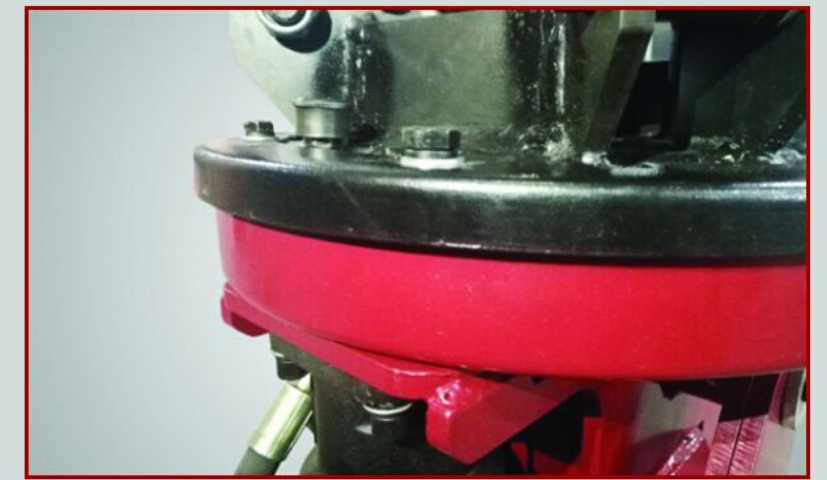
ATC-1500 THE DETAILS OF THE FEATURE



Dismount head can work both ways, this breakthrough design makes it an easy-to-use tire changer



Pusher block can be adjusted freely while working, and with the gauge help, It can be fixed according to wheel rim position.



A closed dust-proof designed gear box, will help avoid possible damage and prolong the gears useful life.



Hydraulic motor transmission with large diameter oil tube obviously improves working efficiency.



Unique clamps to fit the aluminum wheels with jaw protectors to keep the aluminum rims from damaging.



Hand and foot operation is easy and safe to use.